

DALDOSS

GOODS

ATTENDANT

PLATFORM LIFT

Level Goods

Windy i dźwigi przemysłowe

ECONOMIC

STRONG

MODULAR

RELIABLE

Level Goods introduction

Daldoss Level Goods offers the easiest solution, fast and efficient, for the transport of goods, with or without attendants in the car. Particularly suitable to warehouses, industries, supermarkets, retail shops and any other environment where there is a need to move carts, trolleys, boxes and other material. It can be easily installed in small areas thanks to its pit and headroom reduced to the minimum, and it's available both as wall mounted and/or with supported structure, for indoor or outdoor installations.

a product certified by



daldoss level goods
help your work moving
medium size loads

Level[®]



Technical features

Daldoss Level Goods is a platform lift to be used for transport of medium size cargo, accompanied by maximum two persons.

Traction: Hydraulic with control unit placed in proximity of the shaft

Operation: "Constant Pressure" (hold-to-run) in the car and automatic from the floor

Rated Load: Up to 500 kg (with 2 persons max in the car)

Stops: Up to 8

Travel: Up to 17mt (it may vary depending on the model)

Speed: Max 0.15 m/s (it may vary depending on the model)

Headroom: Min. 2400 mm

Pit: Min. 150 mm (it may vary depending on the model)

Power Supply: 220V mono phase
Δ230V-Y400V three phase 50/60Hz

Motor Power: 1.5 ÷ 2.2 kW
(depending on the model)

Car Entrances: 1 or 2 opposite

Car: Close with baked oven enamel walls RAL 7038 (pearl gray), bumper guards on the car walls, checkered aluminum floor, LED bars illumination and safety light curtain in Category 2 on each car entrance.

Floor Doors: Manual with single or double panel with 180° opening baked oven enamel RAL 7038 (pearl gray) and window 70x900 mm. Internal closing handle, mechanical lock and electrical contact with removable bridge. Lower floor doors with manual resetting.

Car Pushbutton: Stainless steel plaque AISI 304, floor selection pushbuttons in stainless steel activated with constant pressure. Alarm pushbutton, emergency stop, and optional key disabling car controls operations.

Floor Pushbuttons: Stainless steel plaque AISI 304, floor pushbuttons in stainless steel with universal operation of call and send with green light of presence of car at floor and red light for lift busy or on arrival.

Norms and Regulations:

- Law Decree 27 January 2010 N.17
- Machine Directive 2006/42/EC
- Electromagnetic Compatibility Directive 2014/30/EU
- Ministerial Decree 14 January 2008. New Technical Standards for Constructions.
- CR UNI 10011 – June 1988. Steel Constructions, Instructions for the calculation, execution, testing and maintenance.
- EN1090-1:2009+A1:2011 EC Marking for Structural Steel Supporting Structures.

technical
features

Standard



Single hinged landing door
baked enamel RAL 7038



Double hinged landing door
baked enamel RAL 7038



Landing door internal
closure handle



Bump rail



Landing push
button station



Car operation
panel



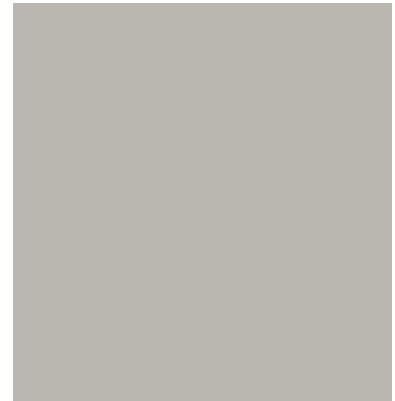
Category 2 Safety light curtain



Non-slip aluminum
checkered car floor



LED bars car illumination



Baked enamel pearl grey
RAL 7038

s t a n d a r d

Optionals



Intercom system



Cabinet for pump unit and control panel



Display car position

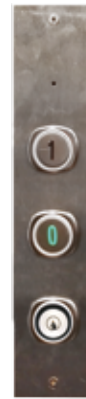
Lock switch IN – OUT to disable commands and light curtains (exclusive use for goods only transport)



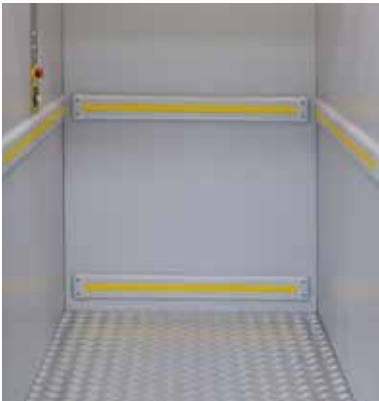
Fire-resistant, single panel floor doors EI60-EI120 (opening at 90°)



Fire-resistant, double panel floor doors EI60-EI120 (opening at 90°)



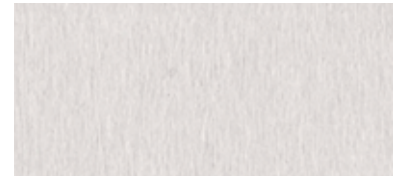
Lock switch enabling buttons on the floor pushbutton plaque



Additional Bump Rails



Additional RAL colors available



Satin stainless steel AISI 304 or AISI 316



Stainless steel scratch-resistant

optionals

Dimensions of structure, car and landing doors of standard models (mm)

Model	Entrances	Capacity (kg)	Pit (mm)	Car STD Height= 2000 (mm)		Doors STD Height= 2000 (mm)		Wall mounted Shaft dimensions (mm)	Supporting structure Shaft dimensions (mm)	
				CW*	CD**	1B=1panel 2B=2panels	DW			
S	A or C	350-500	150	800	1200	750 - 1B	1210	1290	1410	1390
S	AC	350-500	150	800	1200	750 - 1B	1210	1240	1410	1340
W	A or C	350-500	150	900	1200	850 - 1B	1310	1290	1410	1390
W	AC	350-500	150	900	1200	850 - 1B	1310	1240	1410	1340
Z	A or C	350-500	150	1000	1200	950 - 1B or 2B	1410	1290	1510	1390
Z	AC	350-500	150	1000	1200	950 - 1B or 2B	1410	1240	1510	1340
ZL	A or C	350-500	150	1000	1400	950 - 1B or 2B	1410	1490	1510	1590
ZL	AC	350-500	150	1000	1400	950 - 1B or 2B	1410	1440	1510	1540
EU	A or C	350	150	1100	1400	1050 - 2B	1510	1490	1610	1590
EU	AC	350	150	1100	1400	1050 - 2B	1510	1440	1610	1540
XM	A or C	350	150	1200	1200	1150 - 2B	1610	1290	1710	1390
XM	AC	350	150	1200	1200	1150 - 2B	1610	1240	1710	1340
XL	A or C	350	170	1000	1860	950 - 1B or 2B	1410	1950	1510	2050
XL	AC	350	170	1000	1860	950 - 1B or 2B	1410	1900	1510	2000

Note:

* net car span = CW-50mm

** net car span 1 entrance (A or C) = CD-40mm; 2 entrances (AC) = CD-30mm

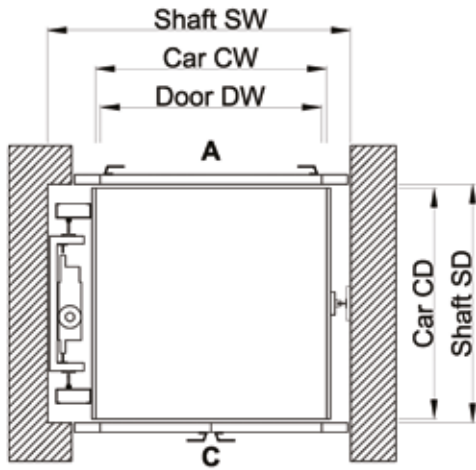
Different dimensions [available on customer request](#)

Daldoss Elevetronic SpA reserves the right to make changes to the characteristics and dimensions of the models in the catalogue, in compliance with statutory legislation, without prior notice to the customer.

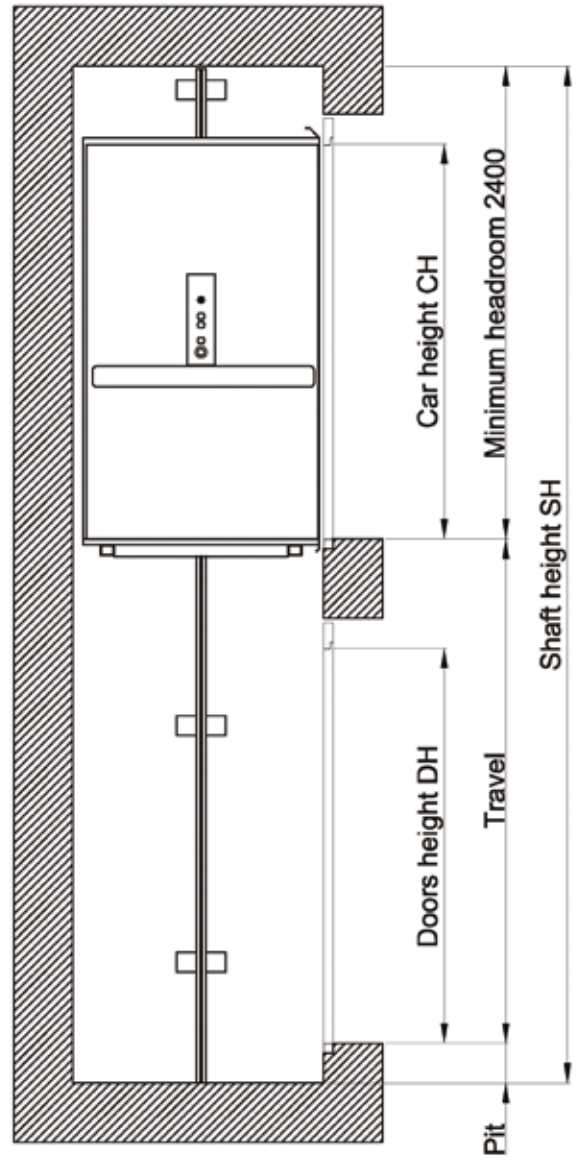
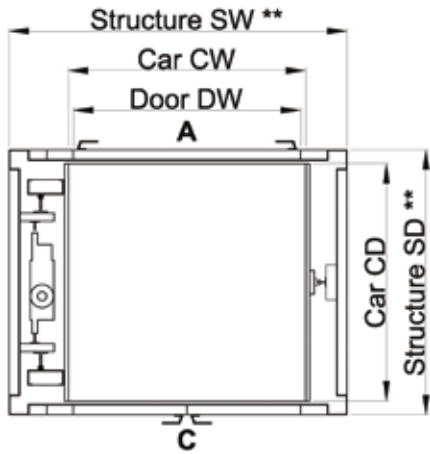
standard models

Drawings

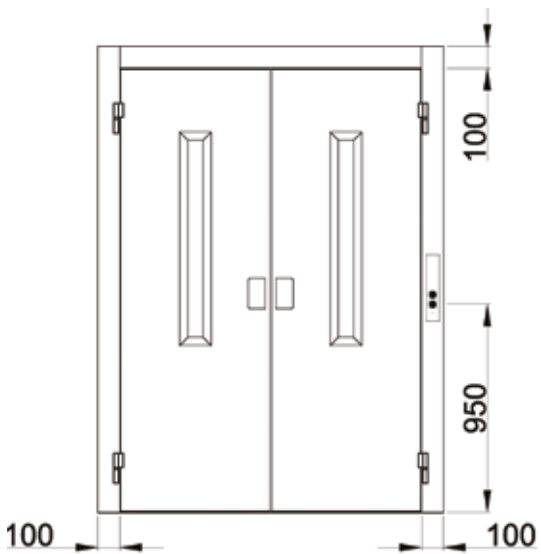
WALL MOUNTED



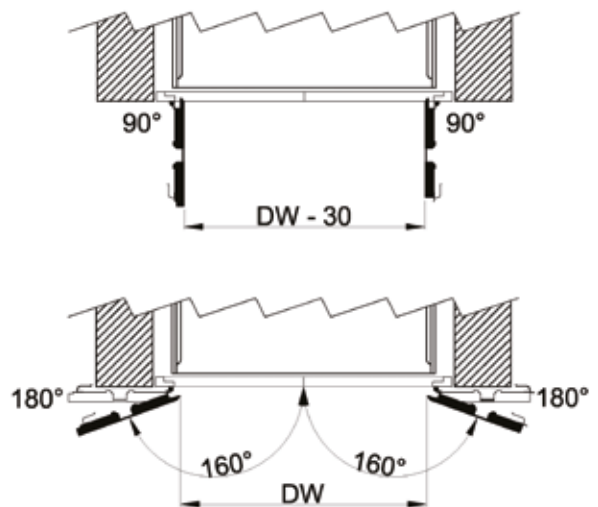
SUPPORTING STRUCTURE



Doors Detail



NET SPAN DOORS OPENING



Level Goods

*The New Platform Lift
for Medium Size Cargo,
with or without attendant*



Let us help you...

At Daldoss we simply try to make life easier for our customers and users of our lifts. Our experienced staff can assess your individual needs and advise on the ideal lift product - working with you through to installation of your lift.



Quality
Management
System ISO 9001



Structural Steel
CE Marking EN 1090-1
class EXC2

daldoss
design

Daldoss Elevelectronica Spa



Do you
want more
information?



Daldoss Eleveltronic Spa

Via al Dos de la Roda, 18
38057 Pergine Valsugana (Tn) - Italy

T. (0039) 0461 51 86 11
F. (0039) 0461 51 86 54
sales@daldoss.com

www.daldoss.com

